

Burner/Control Box BTUH Size Conversion Kit

Applies: Models TR

This package contains Conversion Kit:

Size 100	Size 150	Size 200
<input type="checkbox"/> P/N 120096	<input type="checkbox"/> P/N 120097	<input type="checkbox"/> P/N 132498
<input type="checkbox"/> P/N 120098	<input type="checkbox"/> P/N 120099	<input type="checkbox"/> P/N 132505
<input type="checkbox"/> P/N 132029	<input type="checkbox"/> P/N 132476	<input type="checkbox"/> P/N 132509
<input type="checkbox"/> P/N 132033	<input type="checkbox"/> P/N 132480	
<input type="checkbox"/> P/N 132037	<input type="checkbox"/> P/N 132483	
<input type="checkbox"/> P/N 132040	<input type="checkbox"/> P/N 132486	
<input type="checkbox"/> P/N 132043	<input type="checkbox"/> P/N 132489	
<input type="checkbox"/> P/N 132467	<input type="checkbox"/> P/N 132492	

Warning: This conversion kit to be installed by a qualified agency in accordance with the manufacturer’s instructions and all applicable codes and requirements of authorities having jurisdiction. Failure to follow instructions could result in death, serious injury and/or property damage. The qualified agency performing the this work assumes responsibility for this conversion.

Description / Application:

This Model TR burner/control box was factory-assembled as a size 75, 125 or 175 for installation at the elevation listed on the rating plate:

- If a Size 75 - the parts in this kit will field-convert to a Size 100.
- If a Size 125 - the parts in this kit will field-convert to a Size 150.
- If a Size 175 - the parts in this kit will field-convert to a Size 200.

The application of each kit by size, elevation and type of gas is listed below. Verify that the kit in this package matches the size, elevation and type of gas on the heater rating plate. After confirming that the kit is the correct one for the burner/control box, follow carefully the installation instructions on page 2.

Size Conversion Kit Application & Components (Quantity of all components is 1)	United States and Canada 0-2000 ft (0-610M)		U.S.A. 2001-4000 ft (611-1219M) Canada 2001-4000 ft (611-1372M)		United States			
	Natural	Propane	Natural	Propane	4001-6000 ft (1220-1829M)		6001-8000 ft (1830-2438M)	
					Natural	Propane	Natural	Propane
Size 75 to 100 Conversion Kits	120096	120098	132029	132033	132037	132040	132043	132467
Burner Orifice Orifice Size	120157 #12	120141 #32	120158 #10	120142 3.0mm	120159 5.0mm	120143 #31	131580 #8	120144 3.1mm
Combustion Air Restrictor Plate with Conversion Label	120339	120341	132030	132034	132038	132041	132044	132468
Conversions Label (English)	133238	133239	132031	132035	132039	132042	132045	132469
Conversions Label (French)	120100	120102	132032	132036	---	---	---	---
Size 125 to 150 Conversion Kits	120097	120099	132476	132480	132483	132486	132489	132492
Burner Orifice Orifice Size	120165 D	120149 #27	120166 E	120150 #26	120617 F	120151 3.8mm	120168 G	120152 #23
Combustion Air Restrictor Plate with Conversion Label	120340	120342	132477	132481	132484	132487	132490	132493
Conversions Label (English)	133240	133241	132515	132516	132485	132488	132491	132494
Conversions Label (French)	120101	120103	132479	132482	---	---	---	---
Size 175 to 200 Conversion Kits	132498	N/A	132505	N/A	132509	N/A	N/A	N/A
Burner Orifice Orifice Size	136200 6.75mm		136201 6.9mm		136202 7.0mm			
Combustion Air Restrictor Plate with Conversion Label	133254		132506		132510			
Conversions Label (English)	133242		132507		132511			
Conversions Label (French)	135005		132508		---			

Installation Instructions

1. Fill in the Field Conversion Labels:

Remove the combustion air restrictor plate with the conversion label and the two loose conversion labels from the package.

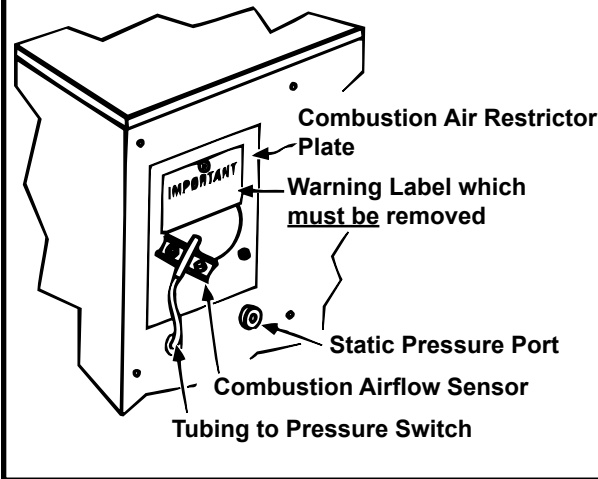
Complete the conversion information on all three labels.

Figure 1 - Portion of a Conversion Label indicating where to "fill in the blanks".

THIS APPLIANCE HAS BEEN CONVERTED AT THE TIME OF INSTALLATION TO A BTUH SIZE ____ (100, 150 or 200) ____,000 WITH KIT NO. ____ (Kit P/N) ____ BY ____ (name of the company and individual) ____ WHO ACCEPTS RESPONSIBILITY FOR THE CORRECTNESS OF THIS CONVERSION.

2. Identify the Combustion Air Inlet on the Burner/Control Box as shown in Figure 2:

Figure 2 - The combustion air inlet is on the side of the burner/control box



3. Install New Combustion Air Restrictor Plate as shown in Figure 3:

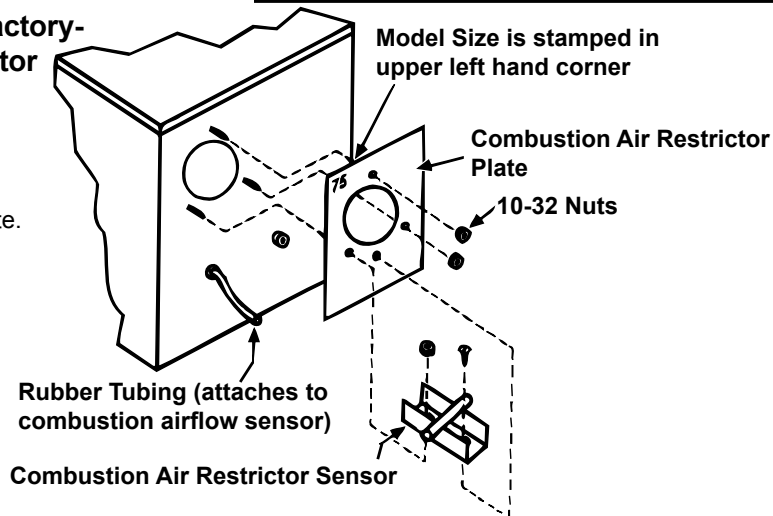
Figure 3 - Remove & Discard Factory-Installed Combustion Air Restrictor Plate (Marked 75, 125 or 175)

Remove hardware (2 screws & 3 nuts) holding the combustion air flow sensor bracket and combustion air restrictor plate.

Remove & **DISCARD** combustion air restrictor plate.

From the conversion kit, attach the combustion air restrictor plate with the conversion label (marked 100).

Re-attach the combustion air flow sensor bracket.



4. Install Burner Orifice as shown in Figure 4:

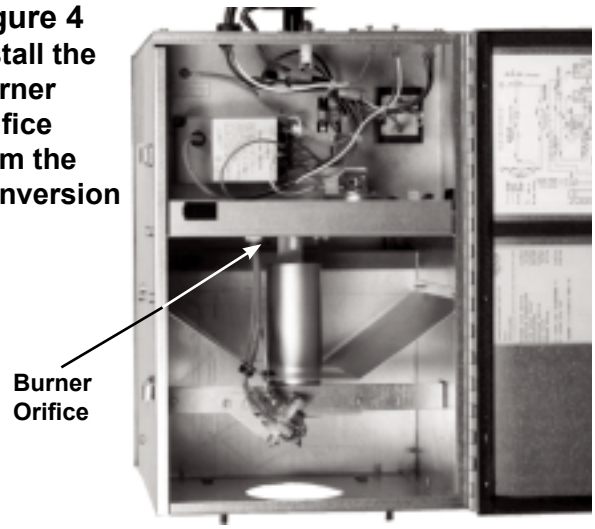
Open the bottom access panel.

Using a 9/16" open end wrench, remove and **DISCARD** the factory-installed burner orifice.

Install the orifice from the conversion kit. Be certain that the orifice is fully tightened.

Close the bottom access panel.

Figure 4 - Install the Burner Orifice from the Conversion Kit



5. Identify locations for adhering the Model Size Conversion labels as shown in Figure 5:

Two labels (one in English; one in French).

Be sure surface is clean & dry. Adhere labels.

Figure 5 - Position Conversion Labels Directly Below the Rating Plate

Adhere completed size conversion labels

